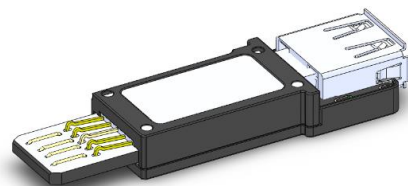
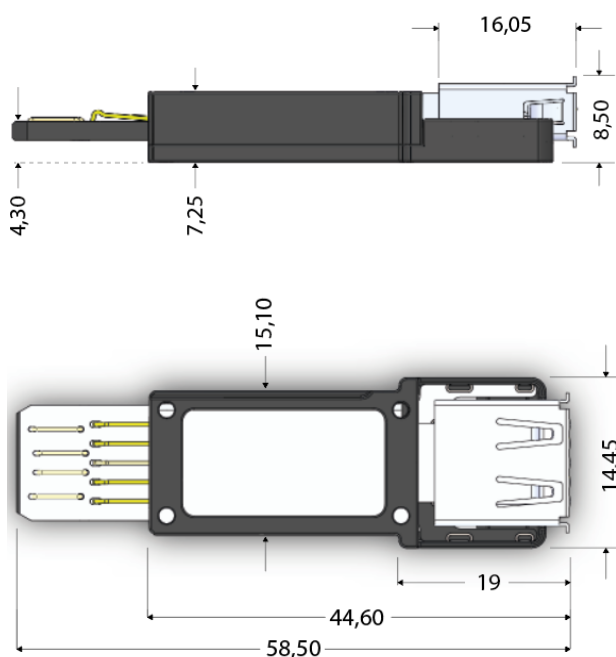


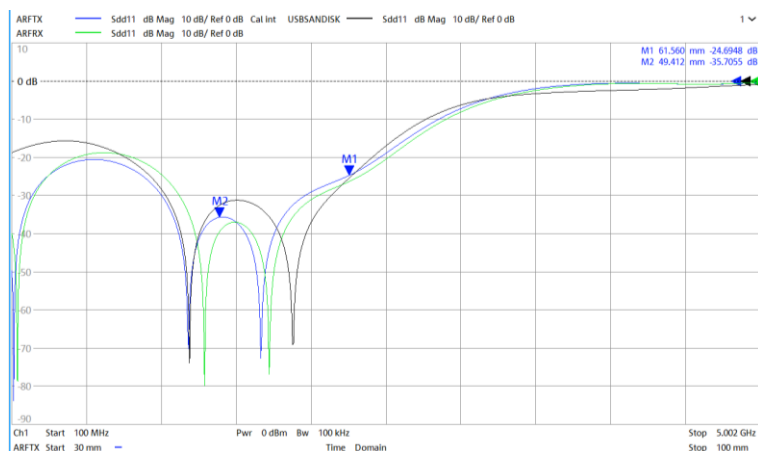
**ARF 198 009 USB3.0 A**  
Test Connector USB 3.0 A



**Mechanical Dimensions (in mm)**



**TDR Measurement**



NB: This connector should not be used manually; the plugin must be mechanically automated.

**General specifications**

**Dimensions**

Length	58,50 mm
Height	8,50 mm
Width	17,70 mm

**Mechanical Specifications**

Connection Type	USB Type A Male
DUT / Test Item	USB Type A Female

**Electrical Specifications**

Continuous Current	1 A
typ. Contact Resistance	20,00 mOhm
Operating Voltage VAC / VDC	25 VAC / 60 VDC
Data Transmission Rate	5 GBIT/S

**Accessories**

Floating Holder	ARF H 198
-----------------	-----------

**Guarantee**

Service Life	60,000 cycles
--------------	---------------