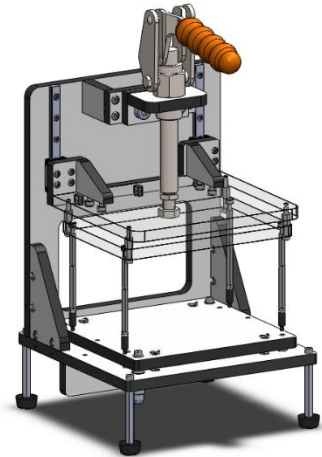


- Manual test fixture with parallel vertical closing
- From R&D debugging to small production capacity
- Customization included or not, ESD or not (on demand)
- Lifetime guarantee on standards spare parts



General Data

| | |
|----------------------------------|-----------------------|
| Standard version: | Yes |
| Useable area: | 140x115 mm |
| Antistatic-compliant: | Yes |
| ESD-compliant: | Yes, option on demand |
| Max. contact force: | 100 N |
| Bottom contacting: | Yes, standard |
| Top contacting: | No |
| Radio frequency version: | No |
| Weight: | 8.6 kg |
| Outer dimensions open (WxDxH): | 200x205x420 mm |
| Outer dimensions closed (WxDxH): | 200x220x388 mm |

Technical Specification

| | |
|-----------------------------|-------------------|
| Product group: | Test Fixture |
| Serie: | DPe |
| Standard size reference: | 01 |
| Fixture's type: | Pressor |
| Parallel contacting stroke: | 68 mm |
| Min. Temperature: | +10°C |
| Max. Temperature: | +60°C |
| Standard Version: | Yes |
| Opening Clearance Distance: | 58 mm |
| Max. production capacity: | 4,000 pcs / month |