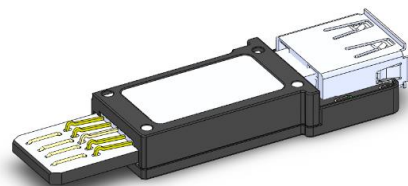
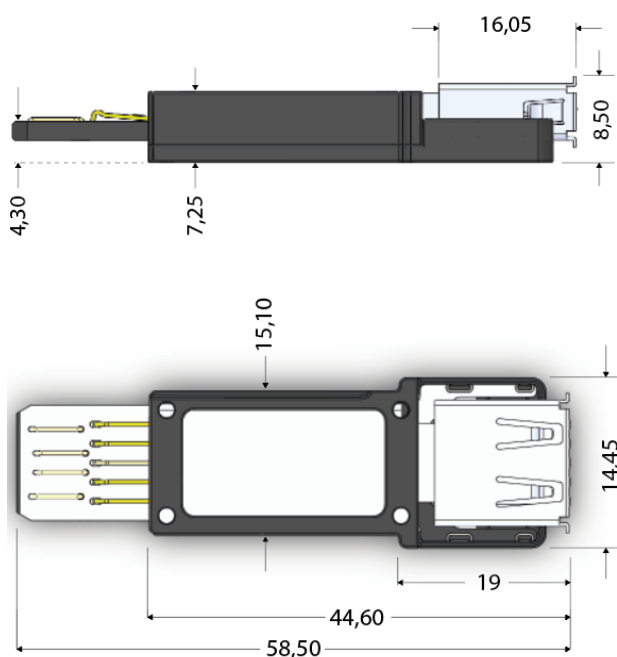


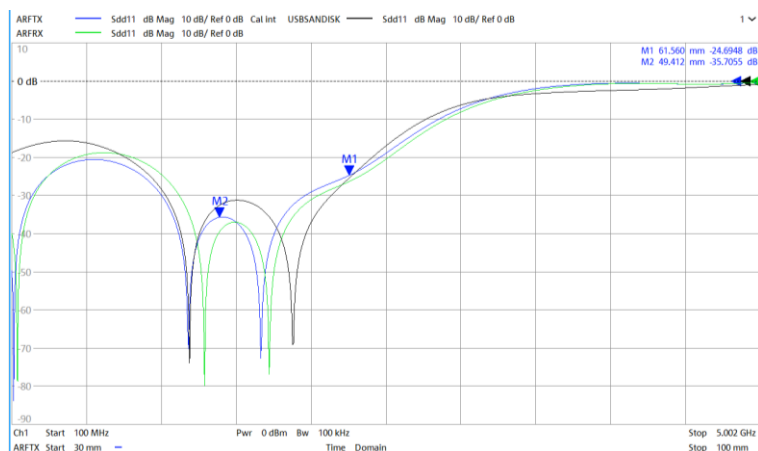
ARF 198 009 USB3.0 A
Test Connector USB 3.0 A



Mechanical Dimensions (in mm)



TDR Measurement



NB: This connector should not be used manually; the plugin must be mechanically automated.

General specifications

Dimensions

Length	58,50 mm
Height	8,50 mm
Width	14,45 mm

Mechanical Specifications

Connection Type	USB Type A Male
DUT / Test Item	USB Type A Female

Electrical Specifications

Continuous Current	1 A
typ. Contact Resistance	20,00 mOhm
Operating Voltage VAC / VDC	25 VAC / 60 VDC
Data Transmission Rate	5 GBIT/S

Accessories

Floating Holder	ARF H 198
-----------------	-----------

Guarantee

Service Life	60,000 cycles
--------------	---------------