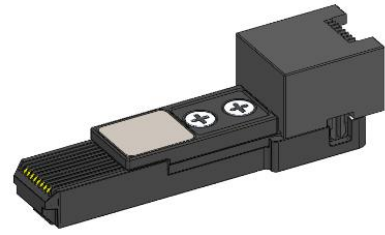
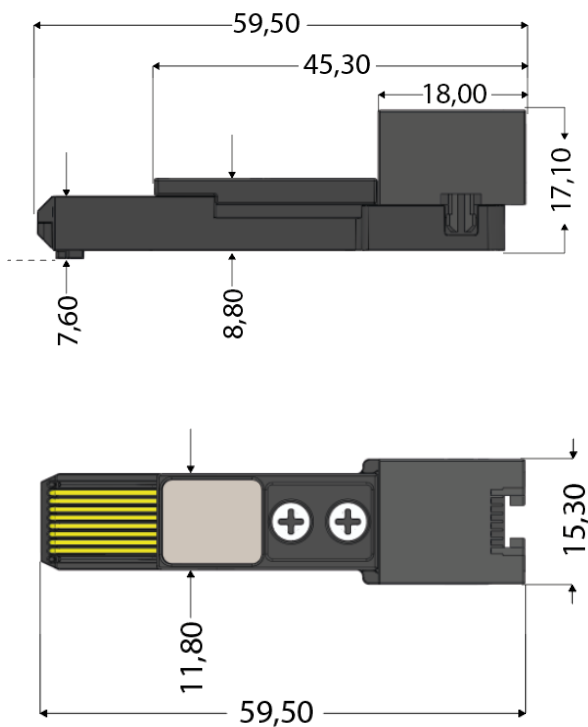


ARF 201 008 RJ45
Test Connector RJ45



Mechanical Dimensions (in mm)



General specifications

Dimensions

Length	59,50 mm
Height	18,20 mm
Width	15,30 mm

Mechanical Specifications

Connection Type	RJ45 Male
DUT / Test Item	RJ45 Female

Electrical Specifications

Continuous Current	1 A
typ. Contact Resistance	20,00 mOhm
Operating Voltage VAC / VDC	25 VAC / 60 VDC
Data Transmission Rate	1 GBIT/S

Accessories

Floating Holder	ARF H 201
-----------------	-----------

Guarantee

Service Life	60,000 cycles
--------------	---------------

NB: *This connector should not be used manually; the plugin must be mechanically automated.*